

## Sat tripod mast

### About this manual

This document is part of the product.

- ▶ Read this manual before using the the sat tripod mast HDS 100 for the first time.
- ▶ Perform all operating steps described in the manual in the specified sequence.
- ▶ Keep this manual in a safe place for future reference and enclose it with the unit when passing it on to the next user.

For the most up-to-date version of this document, go to [www.kathrein-ds.com](http://www.kathrein-ds.com).

### Features

The HDS 100 sat tripod mast is used when there is no "clear line of sight" to the satellite from the location of the caravan or motorhome. There must be no obstructions (bushes, trees, houses etc.) standing in the way of the clear line of sight to the satellite, otherwise good reception cannot be achieved.

- The sat tripod is suitable for the following types of satellite antenna:
  - BAS 65
  - CAS 06/60, CAS 80
  - KEA 650, KEA 750, KEA 850
- For mobile use of satellite antennas
- Tripod mast of aluminium
- Maximum height: 150 cm

### Scope of supply

- Sat tripod mast
- Securing pegs, quantity 3
- Extension
- Carrying case
- Installation manual

### Select the antenna location



#### Caution

Risk of injury due to the sat tripod mast with attached satellite antenna and antenna cable (coaxial cable). Trip hazard!

Position the sat tripod mast and lay the antenna cable in such a way that neither you nor anyone else can trip over it or be obstructed or put at risk in any way. Wählen Sie für das Sat-Stativ einen Standort, an dem die Antenne eine freie Sicht zum Satelliten hat.

- ▶ Select a location for the sat tripod mast from which the antenna has a clear line of sight to the satellite.



Fig. 1: Sat tripod mast HDS 100

## Installation

### A Erect the sat tripod mast

Unfold the sat tripod mast, align it and secure it

1. Loosen the star grip screw ① (Fig. 2, P. 2) and fold out the legs ⑤ of the sat tripod mast. To do this, push the joint head ② downwards until the struts ③ are horizontal.
2. Tighten the star grip screw and position the sat tripod mast at its chosen location.
3. Align the sat tripod mast so that the mast tube ④ is vertical and one of the legs is facing towards the satellite.
4. Secure the sat tripod mast using the securing pegs supplied. Do this by inserting the securing pegs into the ground through the holes in the tripod mast legs ④ (Fig. 1, P. 1).



#### Caution

Risk of injury due to the sat tripod mast tipping over in a strong wind. Be sure to drive the securing pegs sufficiently firmly into the ground to provide an anchor.

Prepare the extension

5. Loosen the star grip screw ⑥ (Fig. 3) and pull the extension ⑦ out until 2 engagement pin holes are visible.
6. Insert the engagement pin ⑧ sufficiently far into the lower of the two holes until both grooves are engaged with the tube wall.

Fit the antenna and extend the extension to the required height

7. Fit the antenna on to the extension. If necessary, request a second person to assist you to hold the antenna steady until it is clamped on to the mast.
8. With the antenna mounted, use one hand to pull out the extension to the desired height, taking care not to exceed the maximum height.



#### Warning

Pull the extension out of the mast tube at most until the 4th engagement pin hole is just visible.

9. With the other hand, insert the engagement pin sufficiently far into the engagement pin hole for the desired height, until both grooves are engaged with the tube wall (Fig. 4).
10. Allow the extension to slowly slide down into the mast tube until the engagement pin rests on the top of the tube.
11. Align the antenna towards the satellite and tighten the star grip screw ⑥ a little.

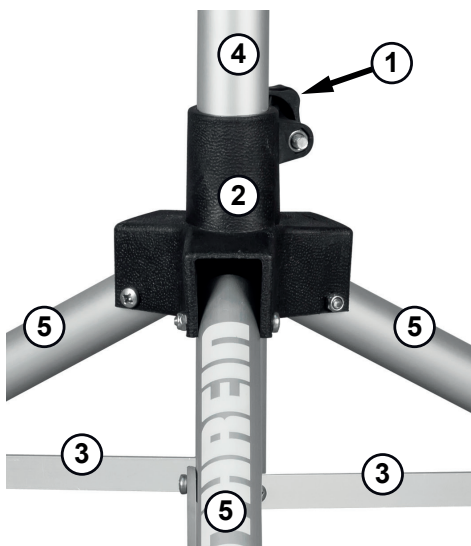


Fig. 2: Mast tube and legs

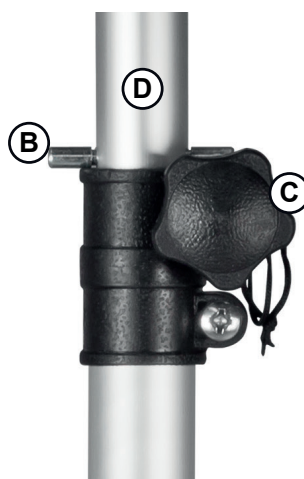


Fig. 3: Mast tube and extension



Fig. 4: Correct position of the engagement pin

## B Connect the antenna cable

1. Connect the antenna cable to the antenna as described in the user instructions for the antenna.  
Lay the antenna cable from the antenna to the receiver.



### Caution

Risk of injury due to the antenna cable (coaxial cable). Particular trip hazard in darkness. Lay the antenna cable in such a way that neither you nor anyone else can be obstructed or put at risk.

2. Connect the antenna cable to the receiver as described in the user instructions for the receiver.
3. Switch the receiver and TV set on and select a channel.

## C Adjust the lateral alignment (elevation and azimuth)

### Rough adjustment

1. Adjust the elevation for your location as described in the user instructions for the antenna.
2. Adjust the azimuth as follows:
  - a) Loosen the star grip screw ☉.
  - b) Turn the antenna to the right or left until a TV picture appears.
  - c) Tighten the star grip screw a little.

### Fine adjustment

1. Repeat the adjustment of elevation and azimuth as described under Rough adjustment until the best picture quality is achieved.
2. Fully tighten the star grip screw ☉.

## Removal



### Warning

Crush hazard when pushing the tripod mast legs together. When pushing the tripod mast legs together, hold the tripod mast by the mast tube above the joint head.



### Caution

Risk of injury due to the sat tripod mast with the antenna fitted tipping over. If necessary, request a second person to assist you if, contrary to these instructions, you fold up the sat tripod mast with the antenna still attached.

1. Loosen the star grip screw ☉ and slightly lift up the extension ☉ with the attached antenna.
2. With the other hand, remove the engagement pin ☉ from the extension, and insert it into the 2nd engagement pin hole from the top.
3. Allow the extension to slowly slide down into the mast tube until the engagement pin rests on the top of the tube.
4. Remove the antenna. If necessary, request a second person to assist you to hold the antenna steady whilst you remove it from the mast.
5. Perform steps 1 to 8 (P. 2f) in the reverse sequence (remove the engagement pin – slide the extension in – fold in the legs).

## Technical data

| Type                            | Unit | Value                    |
|---------------------------------|------|--------------------------|
| <b>Dimensions</b>               |      |                          |
| packaged (H x W x D)<br>erected | mm   | approx. 125 x 125 x 1030 |
| Height                          | mm   | 1500 max.                |
| Stand diameter                  | mm   | 1200 max.                |
| Tube diameter                   | mm   | 35                       |
| <b>Weight</b>                   |      |                          |
| Tripod                          | kg   | 1.8                      |
| Total                           | kg   | 2.3                      |